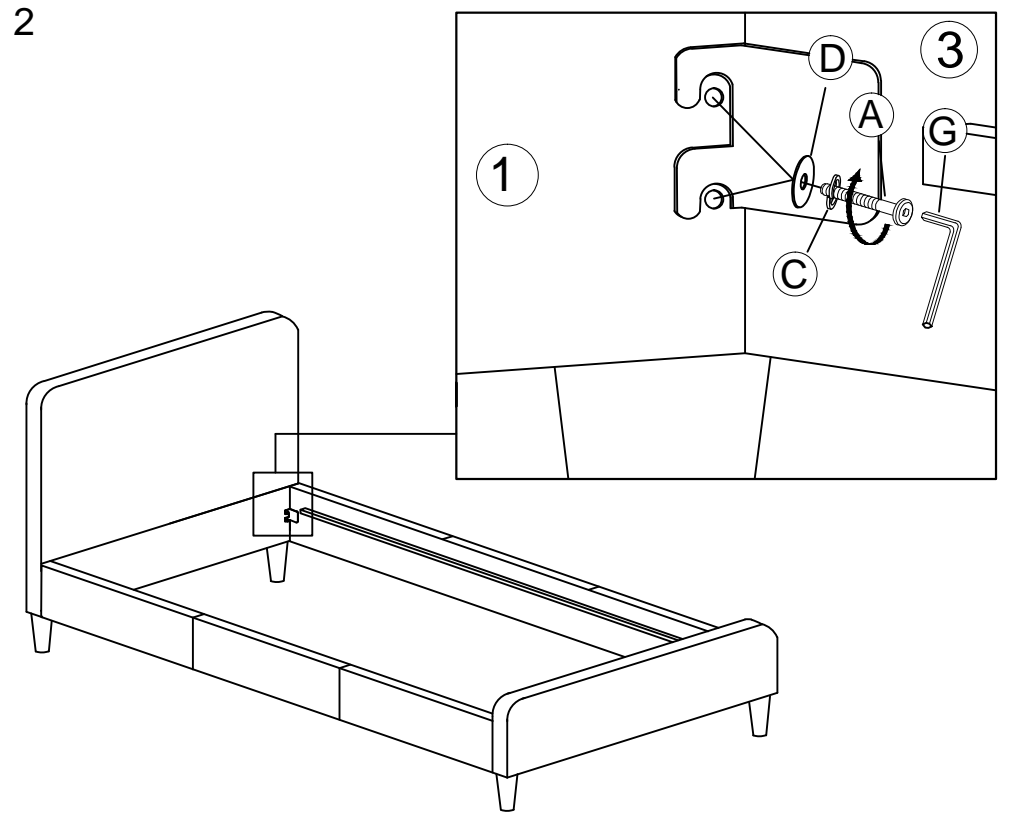
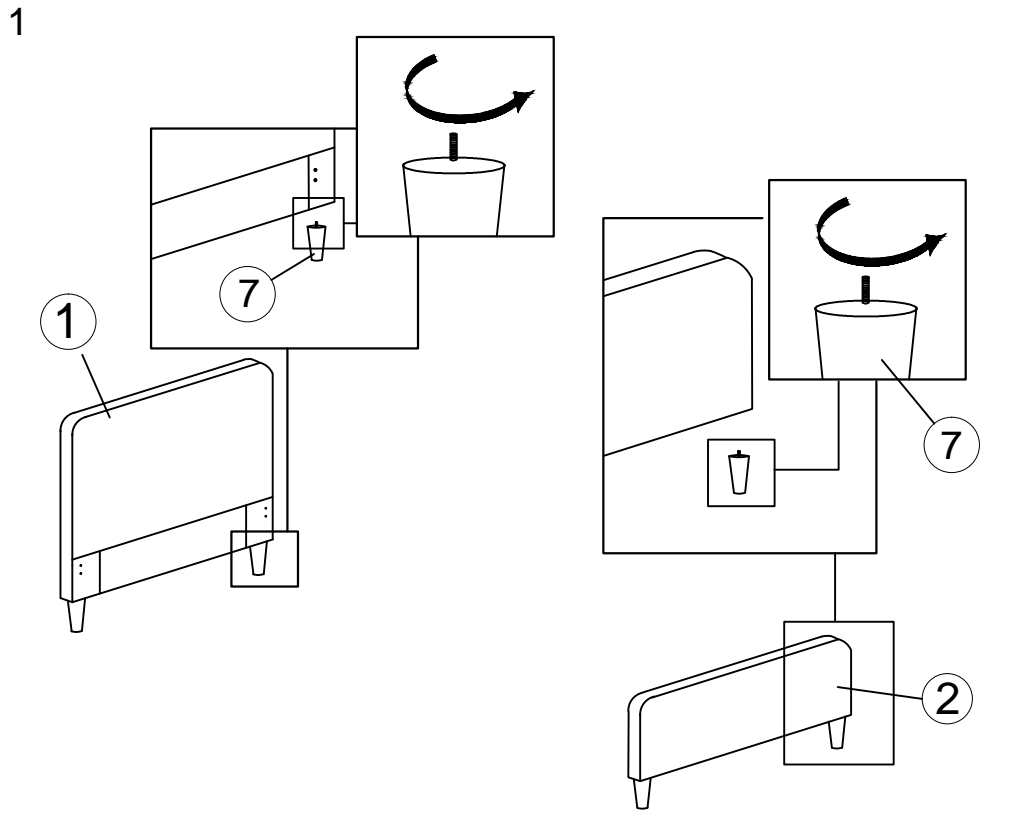
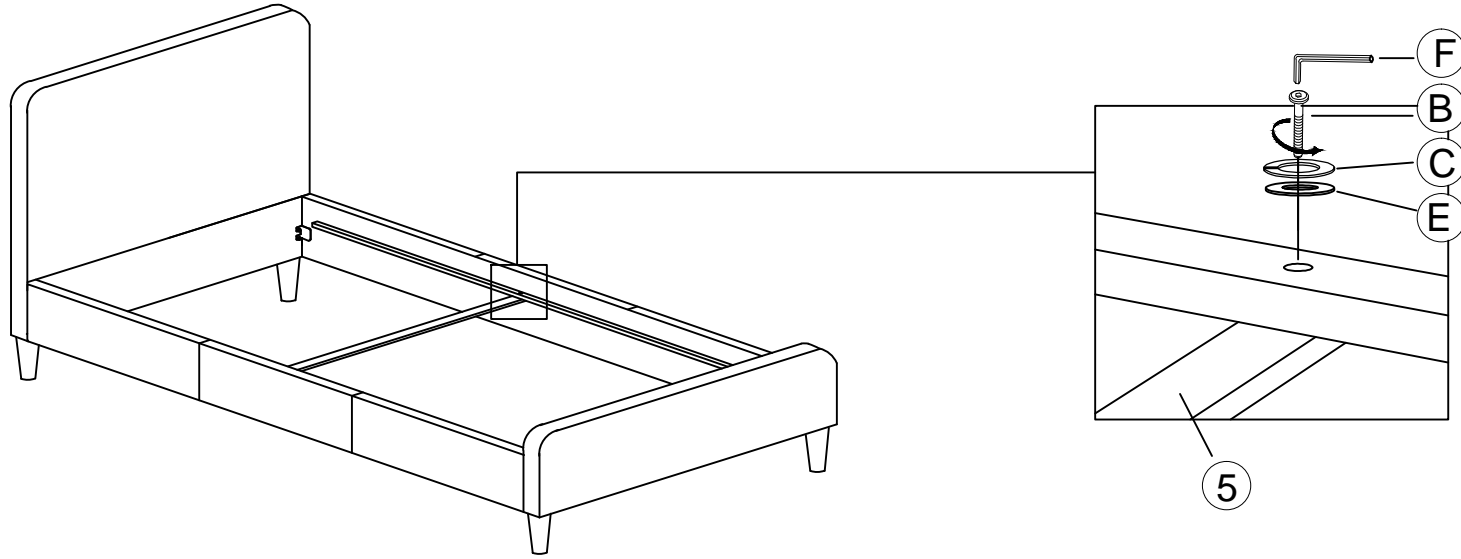


NO	DESCRIPTION	QTY
1	HEADBOARD	1 PC
2	FOOTBOARD	1 PC
3	SIDE RAIL	2 PCS
4	LVL SLATS	16 PCS
5	VERTICAL RAIL	1 PC
6	SIDE PLASTIC CAP	32 PCS
7	BED LEG	4 PCS

NO	DESCRIPTION	QTY
A	JCBB M8 X 40MM	8PCS
B	JCBC M6 X 50MM	2PCS
C	SPRING WASHER 5/16"	10PCS
D	FLAT WASHER 5/16"	8PCS
E	FLAT WASHER 1/4"	2PCS
F	ALLEN KEY M4	1PC
G	ALLEN KEY M5	1PC



3



4

